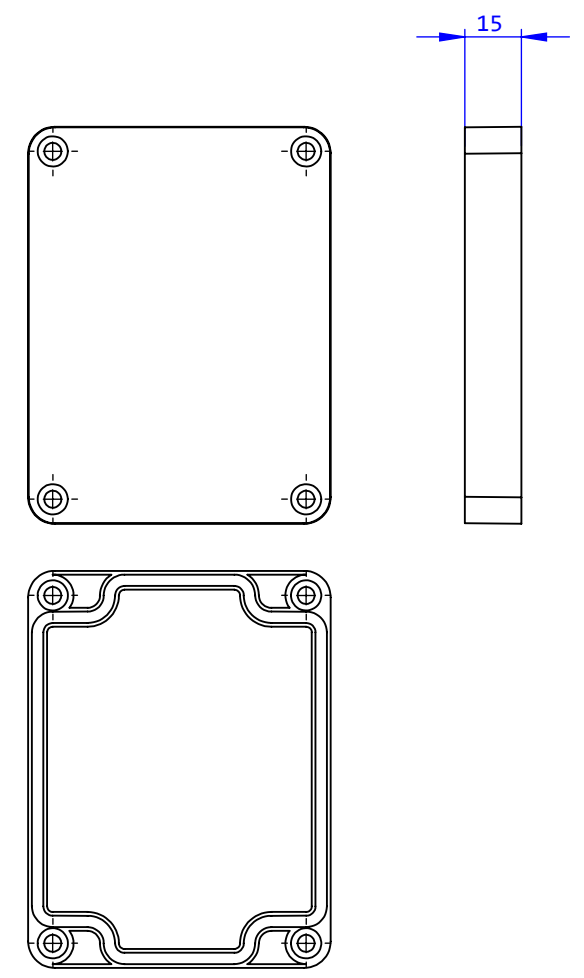
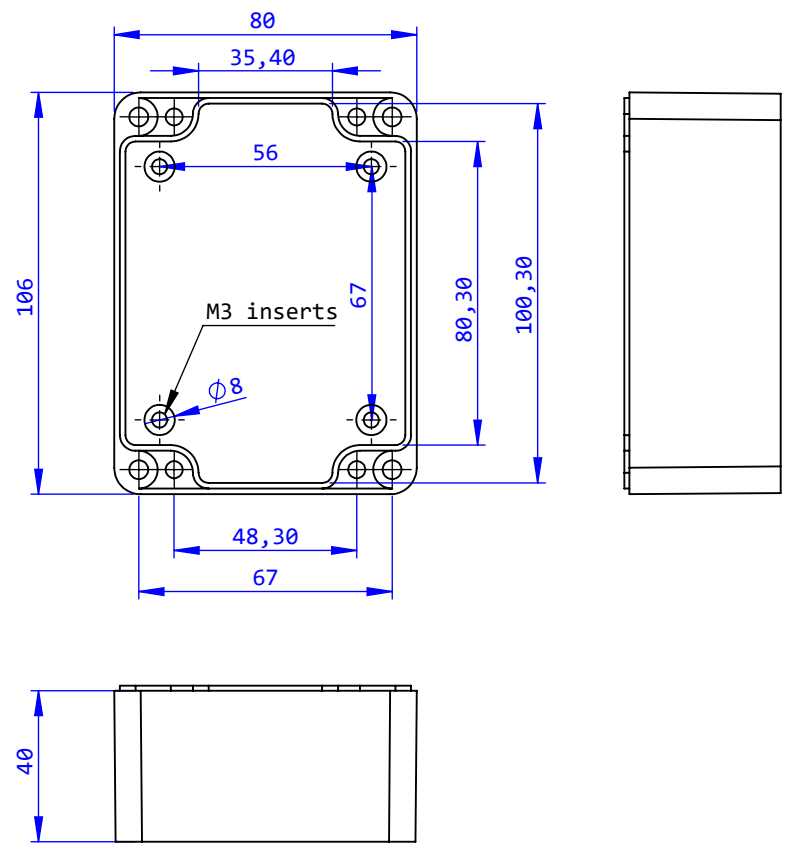


1 2 3 4 5 6

BASE

COVER



A
B
C

PLASTRON PLASTRON Gornja Radgona

TITLE:
PT 100/80/55 complete

DWG NO.
pt 100-55 dno

A4

NAME	DATE



STOCK SIZE	
MATERIAL:	
WEIGHT:	

1 2